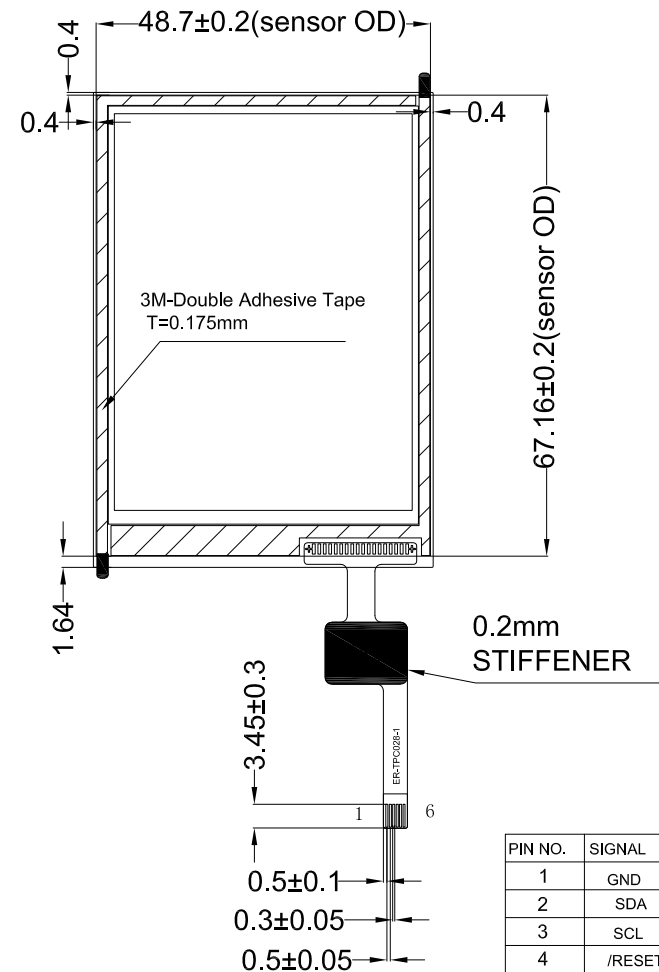
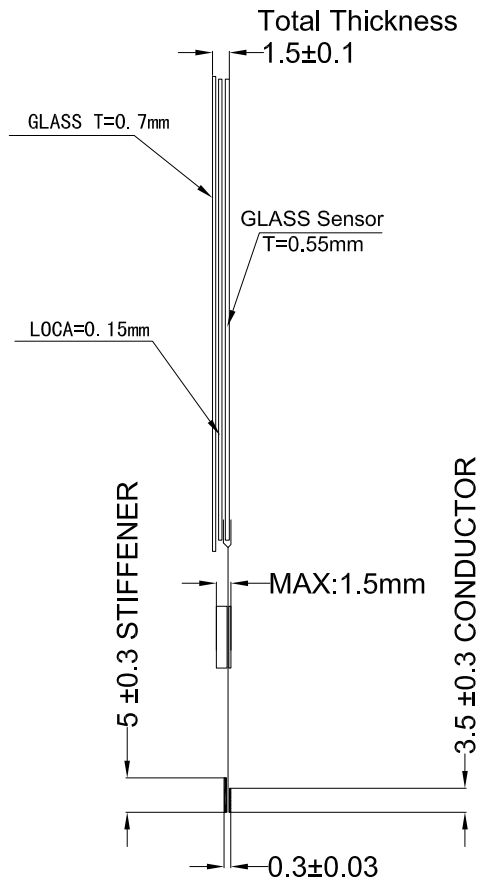
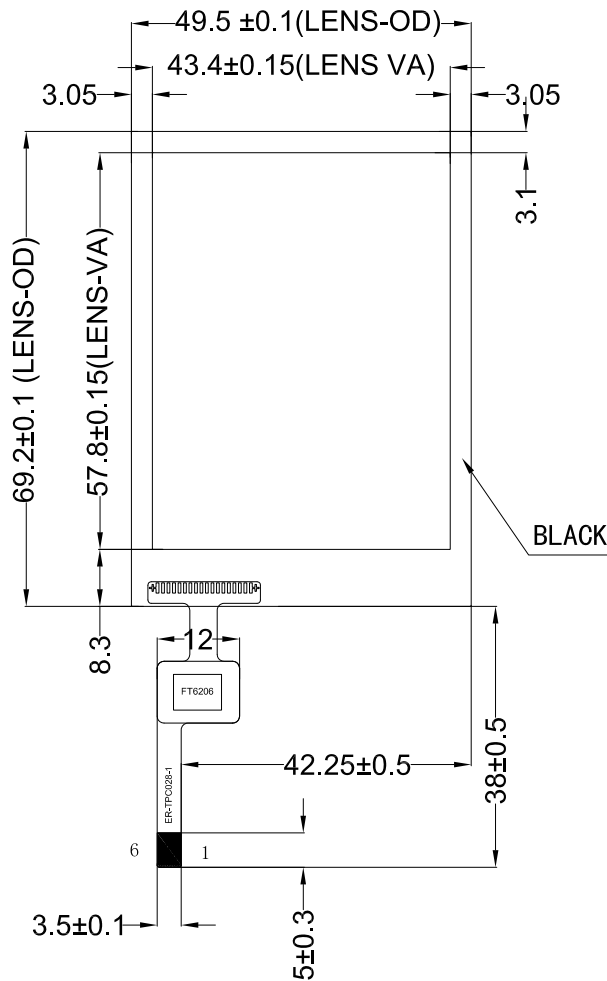


Customer: Customer NO.:

REV.	DESCRIPTION OF MODIFY	MODIFY BY	DATE
A0	1'ST_DESIGN	JIM	May-06-2014
A1	TYPE G+P Modified to G+G	JIM	May-22-2015
A2			



PIN NO.	SIGNAL	DESCRIPTION
1	GND	Ground Connection
2	SDA	I2C Data Line
3	SCL	I2C Clock Line
4	/RESET	Chip Reset
5	/INT	Interrupt Signal
6	VDD	Supply Voltage

**NOTE:**

1. TYPE: G+G
2. OPERATING VOLTAGE: 2.8-3.3V
3. TRANSMITTANCE:  $\geq 87\%$
4. SURFACE HARDNESS:  $\geq 6H$
5. OPERATING TEMP:  $-20 \sim +70^{\circ}\text{C}$
6. STORAGE TEMP:  $-30 \sim +80^{\circ}\text{C}$
7. TOLERANCE:  $\pm 0.20$

 <p>EastRising Technology Co., Ltd EastRising 旭日东方科技有限公司 buydisplay.com</p>	 <p>CD</p>
	<p>UNIT: MM      SIZE: A4</p>
	<p>SHEET: 1 OF 1</p>
<p>PART NUMBER: ER-TPC028-4.1      REV: A1</p>	
<p>DRAWN BY : JIM</p>	<p>CHECKED BY : JAVEN</p>
<p>APPROVED BY : TONY</p>	