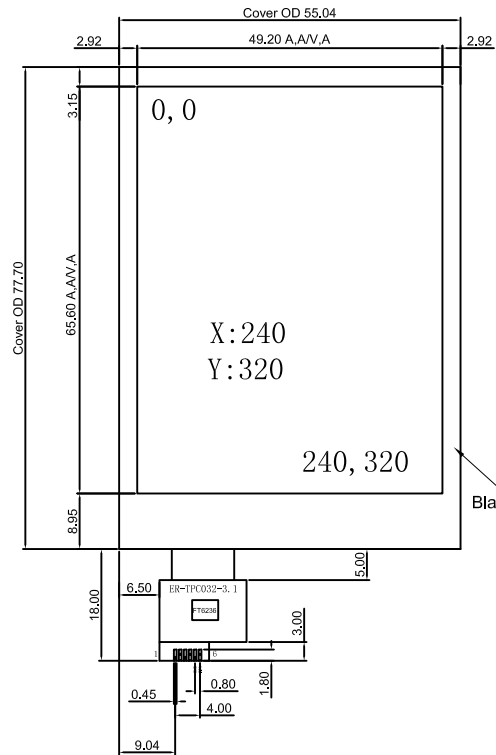
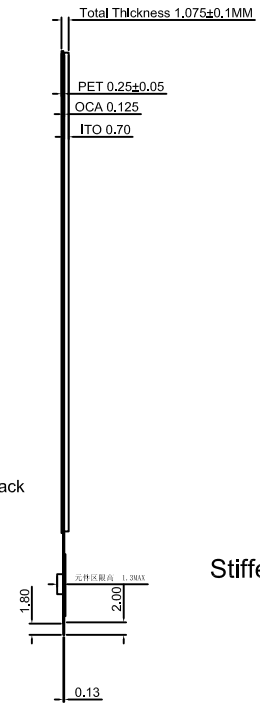


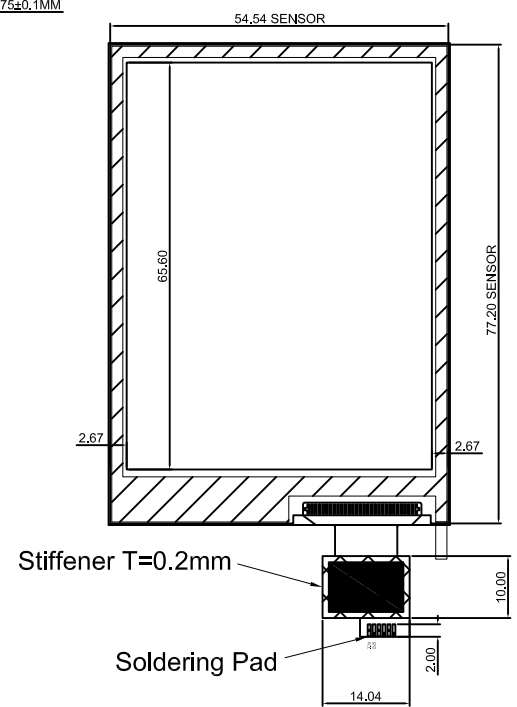
REV.	DESCRIPTION OF MODIFY	MODIFY BY	DATE
A0	1'ST,DESIGN	JIM	Sep-22-2015



Front View



Side View



Back View

- NOTE:**
- 1.TYPE:G+F
 - 2.OPERATING VOLTAGE: 2.8-3.3V
 - 3.TRANSMITTANCE: >= 83%
 - 4.SURFACE HARDNESS:>=6H
 - 5.OPERATING TEMP: -20 ~ +70°C
 - 6.STORAGE TEMP: -30 ~ +80°C
 - 7.TOLERANCE:±0.20
 - 8.Controller: FT6236

Pin Assignment

PIN NO.	SIGNAL	DESCRIPTION
1	/RESET	ChIp Reset
2	/INT	Interrupt Signal
3	SDA	I2C Data Line
4	SCL	I2C Clock Line
5	GND	Ground Connection
6	VDD	Supply Voltage

Unit	mm		
Size	A4		
Scale	1:1		
Approved By	宋韬	Part Number	ER-TPC032-3.1
Check By	刘国平	Description	3.2 inch Capacitive Touch Panel with Controller
Design By	黄文文	Sep-22-2015	