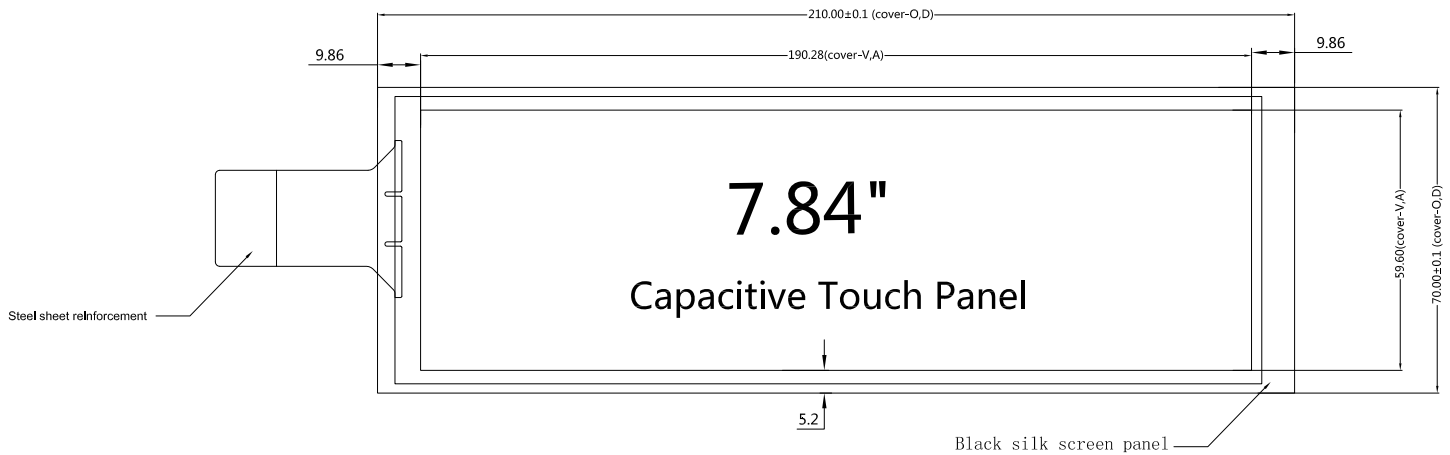


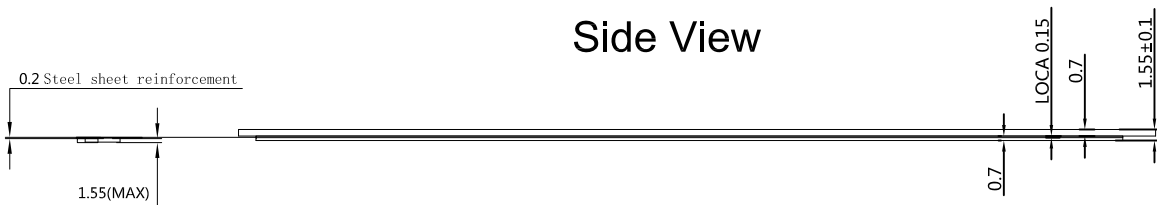
Customer Approve By:

REV.	DESCRIPTION OF MODIFY	MODIFY BY	DATE
A0	1'ST,DESIGN	JIM	Feb-11-2019
A1			
A2			

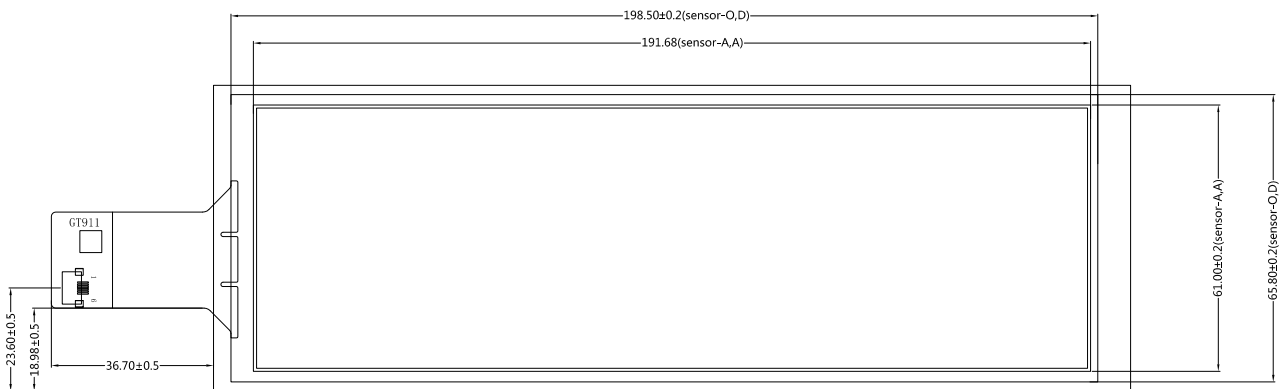
Top View



Side View



Bottom View



NOTE:

- 1.G+G GALSS:0.7MM
- 2.IC: GT911
- 3.OPERATING VOLTAGE: 2.8-3.3V
- 4.TRANSMITTANCE: >= 80%
- 5.SURFACE HARDNESS: 6H
- 6.OPERATING TEMP: -10 ~ +60°C
- 7.STORAGE TEMP: -20 ~ +70°C
- 8.UNFILLED DIMENSINOAL TOLERANCE ±0.2mm
- 9.OD:Outline Dimension
- 10.VA:Visual Area AA:Active Area

PIN	NAME
1	SCL
2	SDA
3	VDD
4	RST
5	INT
6	GND



深圳旭日东方科技有限公司
EASTRISING TECHNOLOGY CO.,LTD

Web: www.buydisplay.com		Email: sales@buydisplay.com	
APPROVALS	DATE	MODEL NUMBER :	
APP		ER-TPC0784-1	
CHK	JACK	Feb-11-2019	GENERAL TOL. UNITS
DWN	JIM	Feb-11-2019	VERSION A0
SCALE 1:1		PROJECTION	SHEET: 1