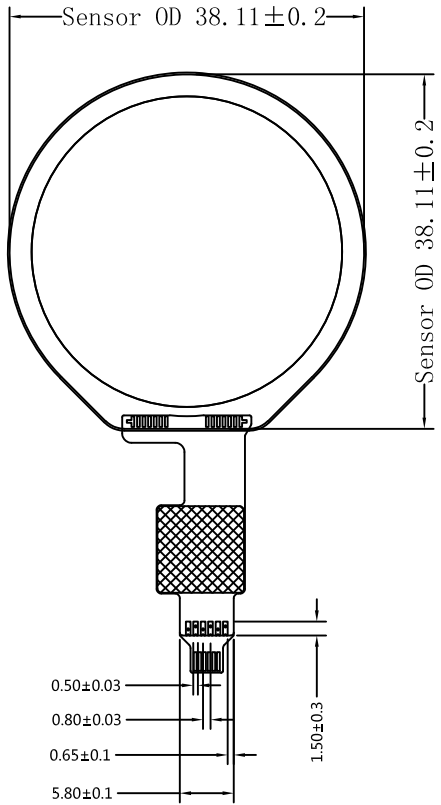
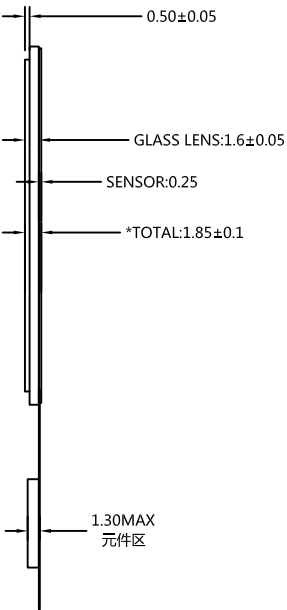
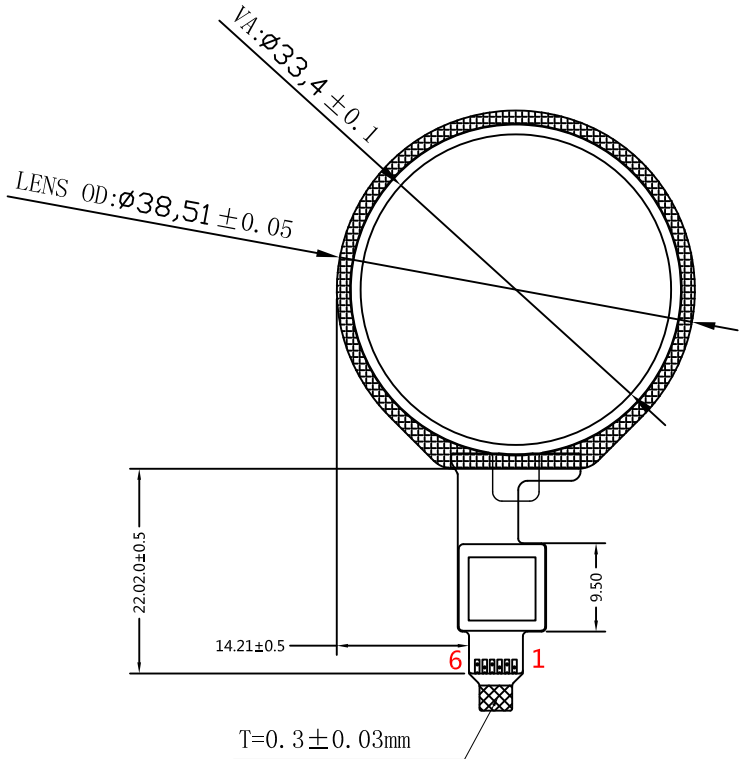


REV.	DESCRIPTION OF MODIFY	MODIFY BY	DATE
1.0	1'ST DESIGN	JIM	Jun-08-2020



1.Unit: mm
2.AA=Active Area



旭日东方科技有限公司
EASTRISING TECHNOLOGY CO.,LTD

Web: www.buydisplay.com

Email: sales@buydisplay.com

APPROVALS		DATE	MODEL NUMBER : ER-TPC1.28-2		GENERAL TOL.	UNITS
APP					SCALE:	MM
CHK			DO NOT SCALE THIS DRAWING.	PROJECTION	N.T.S.	
DWN	JIM	Jun-08-2020			SHEET:	1