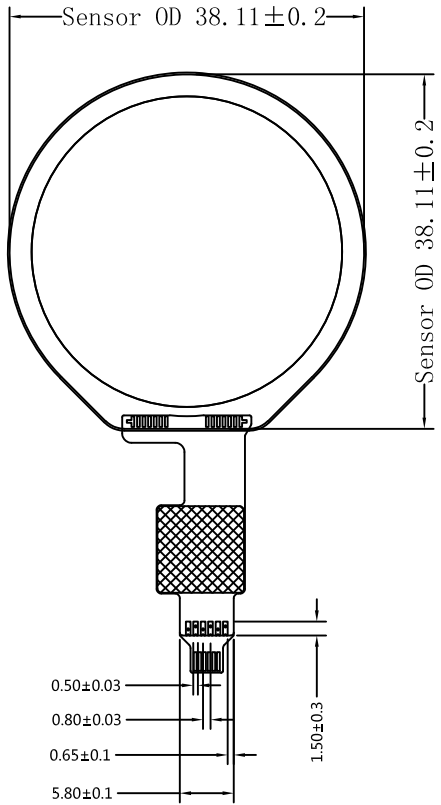
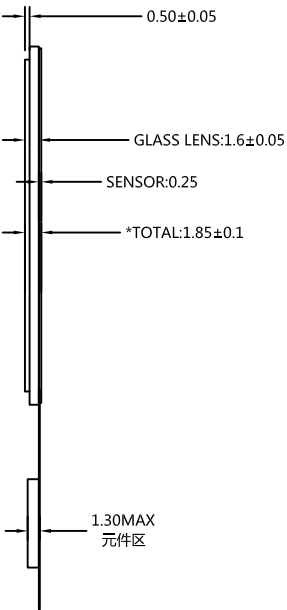
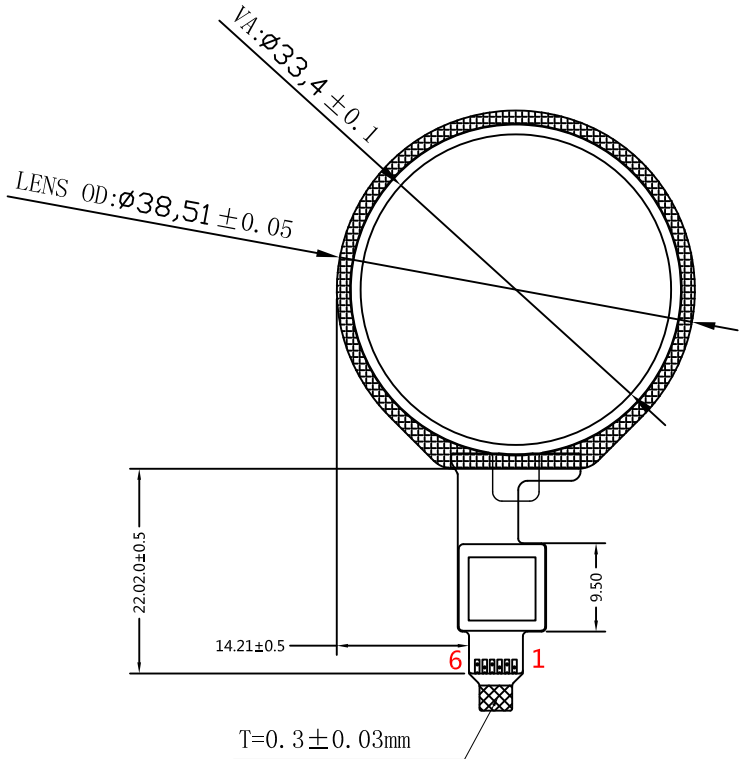


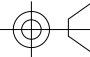
REV.	DESCRIPTION OF MODIFY	MODIFY BY	DATE
1.0	1'ST DESIGN	JIM	Jun-08-2020



1.Unit: mm  
2.AA=Active Area

 旭日东方科技有限公司  
EASTRISING TECHNOLOGY CO.,LTD

Web: [www.buydisplay.com](http://www.buydisplay.com) Email: [sales@buydisplay.com](mailto:sales@buydisplay.com)

APPROVALS		DATE	MODEL NUMBER :		GENERAL TOL. UNITS MM	
APP					ER-TPC1.28A1-2	SCALE:
CHK				N.T.S.		
DWN	JIM	Jun-08-2020	DO NOT SCALE THIS DRAWING.	SHEET:	1	